



STONE ACCESSORIES

Bash Plate Installation Instructions and Specs

Installation Instructions:

1. Remove the existing tube-style guard.
2. Remove steering dampner from the left-hand outboard side before attaching left bracket.
3. Install left and right brackets to the frame using 2x #12 bolts, 2x #10 bolts, washers and nuts.
4. Hand tighten.
5. Put bash plate up to brackets and install with remaining hardware (4x SS #8 hardware).
6. Tighten up bash plate to brackets, adjust and tighten bracket bolts.
7. If needed, there is more adjustment between brackets and bash plate.



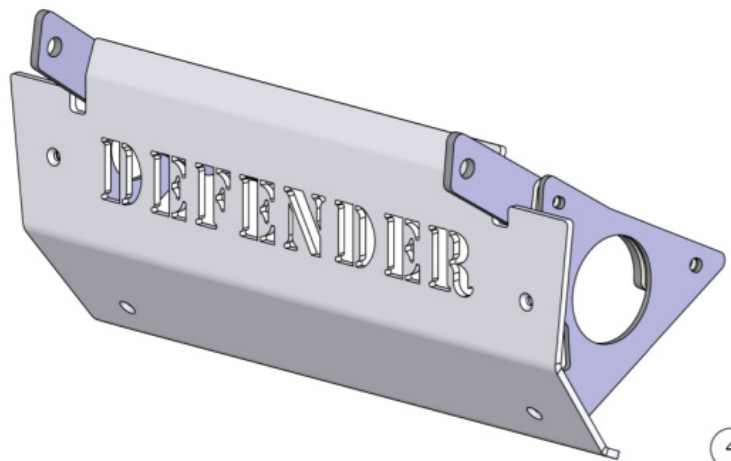
Specs:

Plate is 8mm galvanised aluminium. Brackets and recovery hooks are powder-coated steel. Hardware is stainless steel.

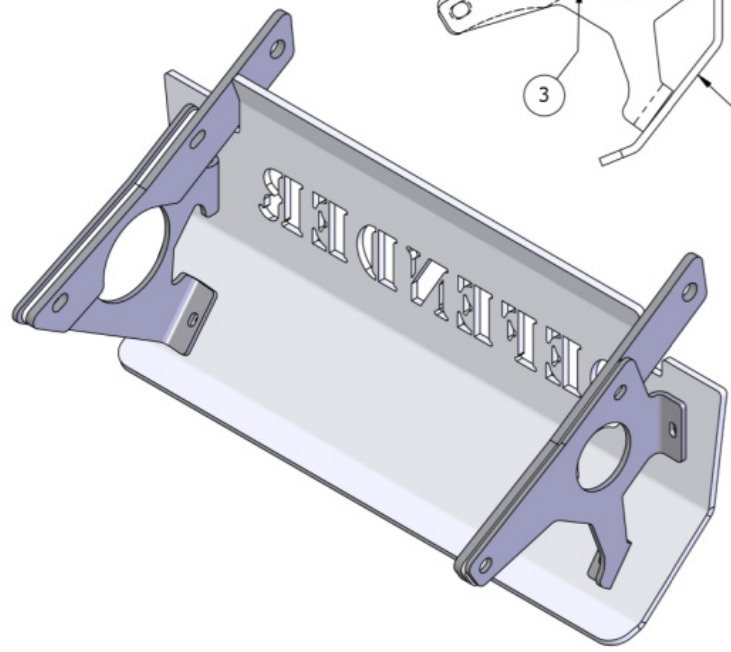
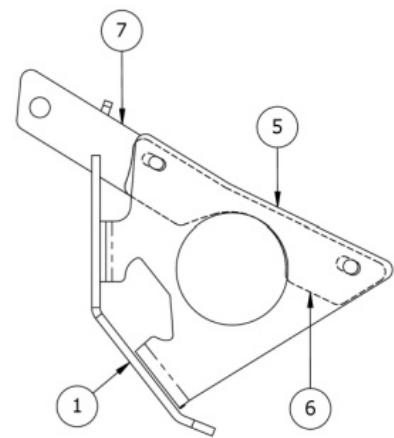
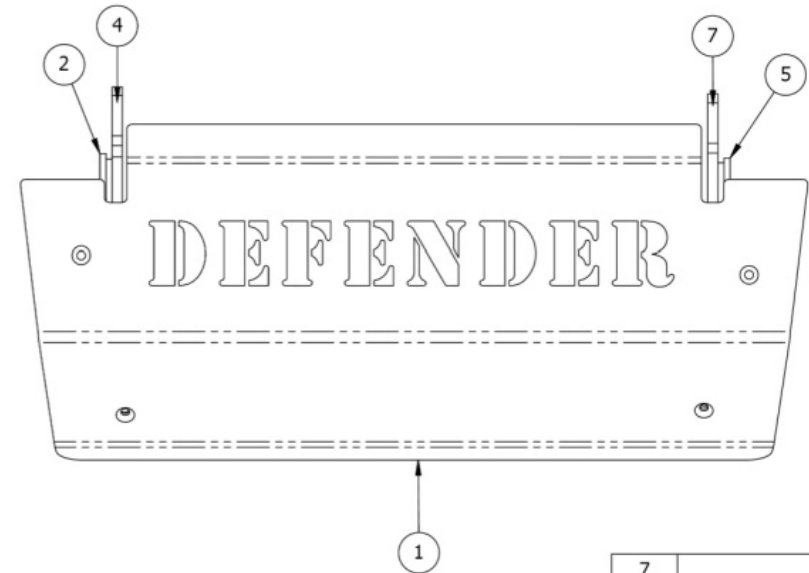
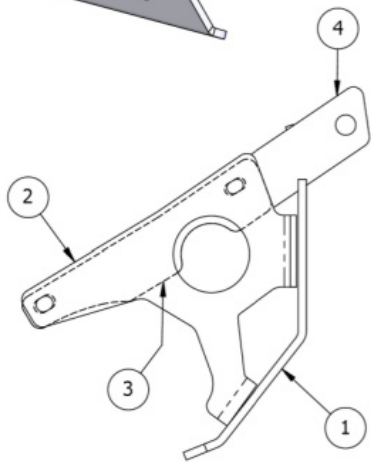
Weight: 13kgs

Boxed dimensions and weight: 800mm x 400mm x 120mm / 13.5kgs

NEXT HIGHER ASSEMBLY: ***



- 1. Bash plate.
- 2. Right-hand bracket.
- 3. Right-hand spacer.
- 4. Riht-hand recovery hook.
- 5. Left-hand bracket.
- 6. Left-hand spacer.
- 7. Left-hand recovery hook.



7		STD L/H RECOVERY	1
6		STD L/H SPACER	1
5		STD L/H BRACKET	1
4		STD R/H RECOVERY	1
3		STD R/H SPACER	1
2		STD R/H BRACKET	1
1		STD DEFENDER PLATE	1
ITEM No.		DESCRIPTION	

<p>ALL DIMENSIONS ARE IN mm UNLESS MENTIONED OTHERWISE.</p>	SCALE	± 0.5 ± °	MATERIAL:
	1:5	mm deg.	
DO NOT SCALE DRAWING	UNSPECIFIED TOLORANCES		DWG NO.

STD DEFENDER ASSY