



GULLWING DOOR INSTALLATION INSTRUCTIONS

- 1.** Remove all interior panels to access the inside of the window.
- 2a.** Remove the weather strip on the factory window and drill out all rivets (tdi and td5).
- 2b.** Puma - remove window with paint scraper or thin wire because it's siliconed in.
- 3.** Remove window and clean well.
- 4.** Remove the door out of the frame work of the gullwing door by unbolting the hinges attached to the frame.
- 5.** Once the door has been removed take all brackets off the frame itself.
- 6.** Set the frame into the aperture of the vehicle - make sure it sits flush.
- 7.** Mark all the holes using the frame as a template. Also trace the outside of the frame onto the vehicle.
- 8.** Remove the frame and with masking tape, tape the outside of the traced line from the frame.
- 9.** Put a bead of good silicone on the frame or the vehicle side. Make sure to put a bead around every bolt hole and the frame.
- 10.** Install the frame and all the brackets on the inside and bolt up.
- 11.** Once the frame is bolted up, reinstall the door. Make sure to put a bead of silicone around the hinge bolt holes as well.
- 12.** Adjust to fit. Adjustment are in the hinges in the door and in the frame. (Frame: left and right adjustment. Door: up and down adjustment.)
- 13.** Reinstall lift struts.
- 14.** Clean the frame surround and remove the masking tape.
- 15.** Adjust the latch stops .

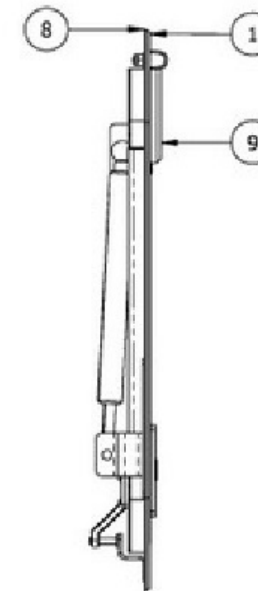
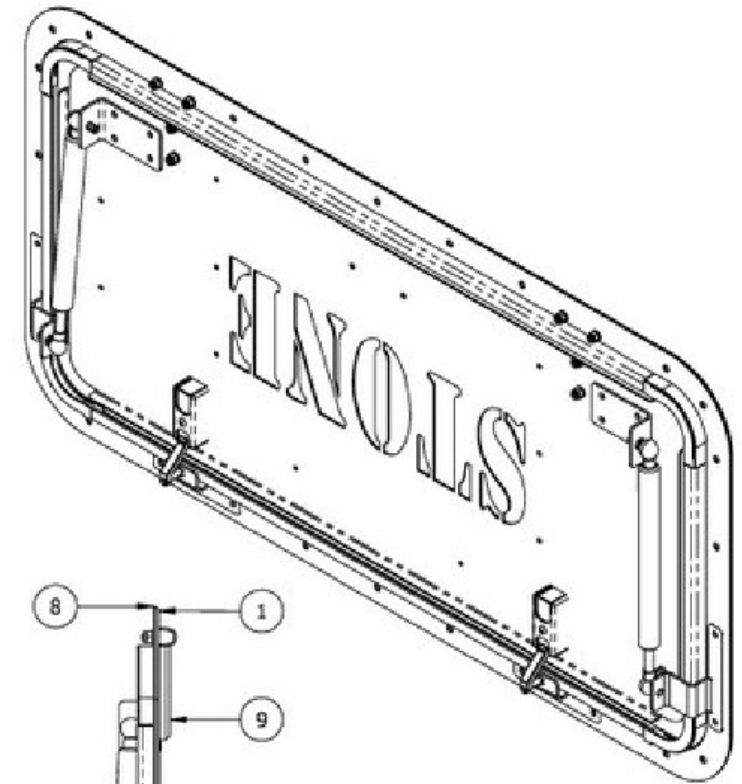
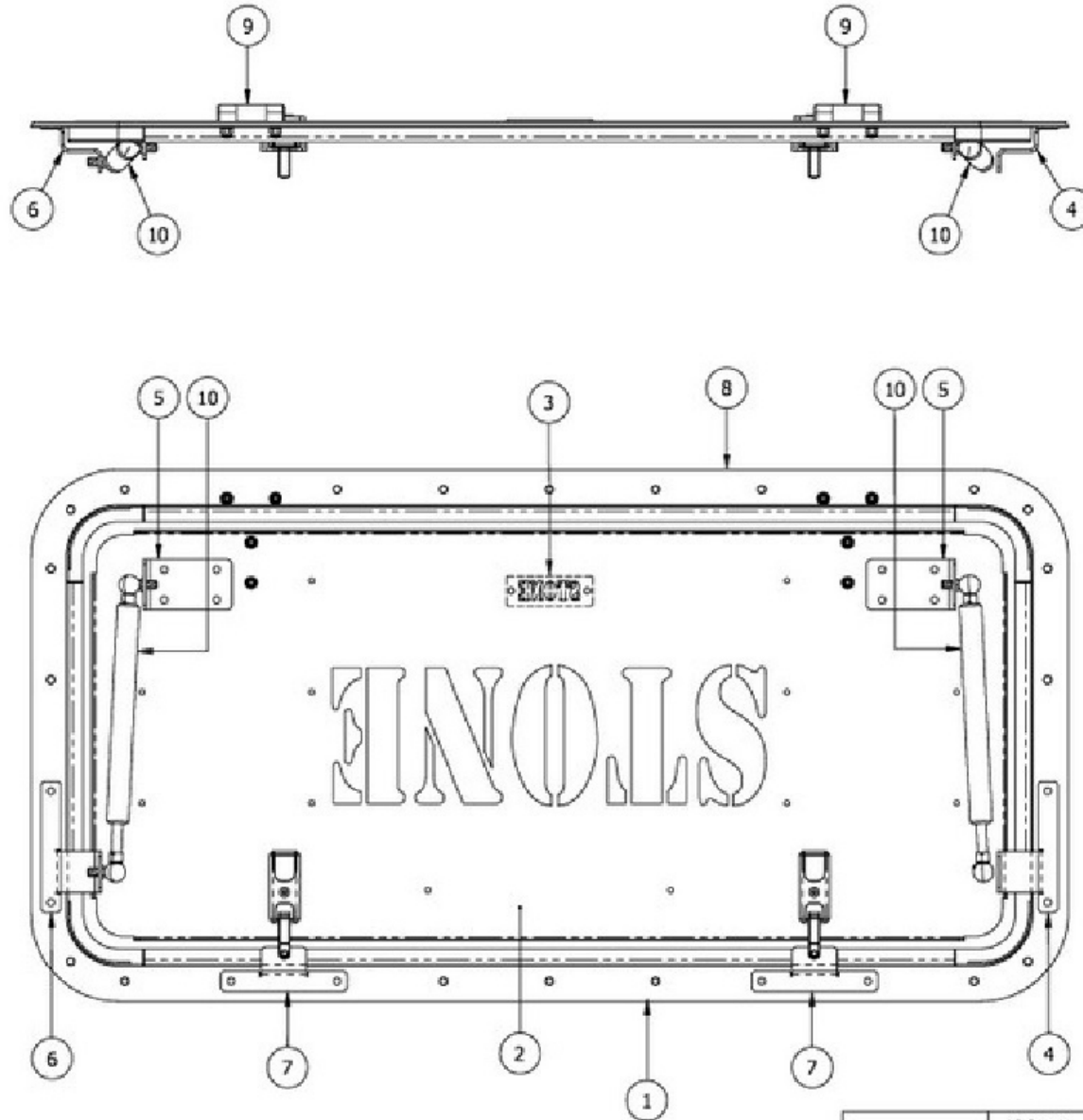
Specs

Aluminium option: Fully aluminium, powder-coated black with stainless steel hardware.

Polycarbonate option: Polycarbonate with aluminium frame, powder-coated black with stainless steel hardware.

Dimensions and Weight: 1126mm x 495mm x 20mm / 11kgs

Boxed dimensions and weight: 1160mm x 530mm x 70mm / 11.5kgs



GABRIEL - GASLIFT	2
HINGE - PERANO	2
GULLWING DOOR GASKET	1
STRICKER PLATE	2
GAS LIFT PLATE C	1
GAS LIFT PLATE B	2
GAS LIFT PLATE A	1
NAME PLATE	1
GULLWING DOOR	1
OUTER MAIN FRAME	1
DESCRIPTION	

	SCALE	± 0.5 ±	MATERIAL:	STONE	
	1:5	mm deg.	TITLE:		
ALL DIMENSIONS ARE IN mm UNLESS MENTIONED OTHERWISE.	DO NOT SCALE DRAWING	UNSPECIFIED TOLERANCES	ALUM GULLWING DOOR ASSY	DATE:	2020/06/10
			DWG NO.	REVISION	F
				SHEET SIZE	A2